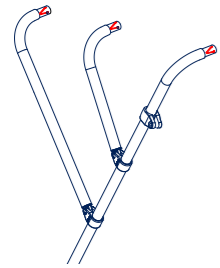
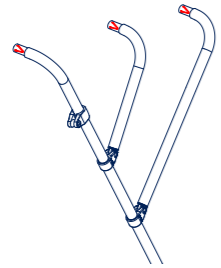


OCEANSOUTH WHITEWATER BIMINI INSTRUCTIONS

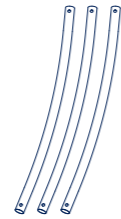
COMPONENTS (INCLUDED IN BOX)



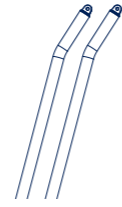
Port frame w/Webbing Straps.



Starboard frame w/Webbing Straps.



Crossbars x 3



Support Poles x 2



Fabric x 1



Webbing Straps x 2



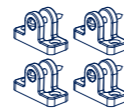
Tube ends x 4



Self tapping x 4



Stainless Steel Saddles x 2



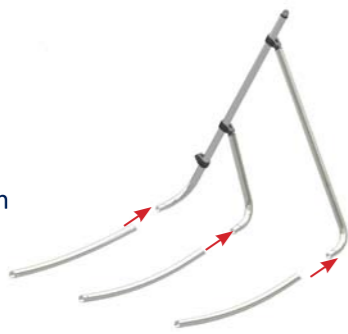
Deck Mounts x 4 w/Screw

ASSEMBLY INSTRUCTIONS

STEP 1.
FIT CROSSBARS INTO STARBOARD FRAME.



Secure in place with spring lock pins.



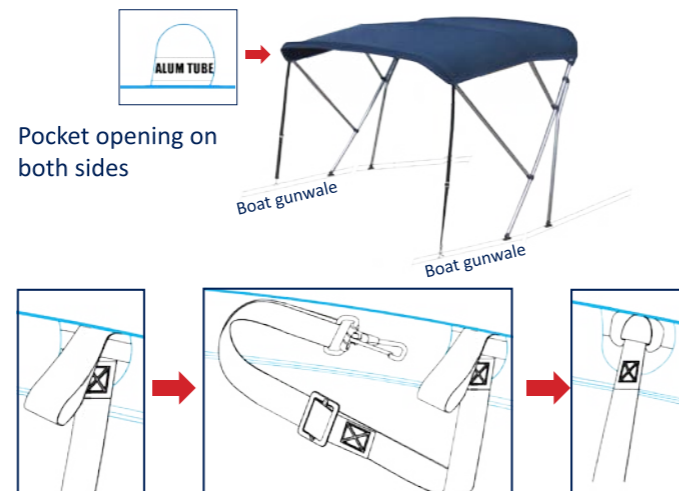
STEP 2.
LAY FABRIC AS SHOWN (SLEEVES UP).
FEED THE CROSSBARS THROUGH FABRIC SLEEVES (LONG UPRIGHT GOES THROUGH REAR SLEEVE)
Product label identifies rear sleeve.



STEP 3.
COMPLETE BIMINI BY ATTACHING THE PORT FRAME TO CROSSBARS (AS IN STEP 1).
ATTACH THE SUPPORT POLES TO THE KNUCKLES



STEP 4.
ATTACH WEBBING STRAPS TO . (4 places)



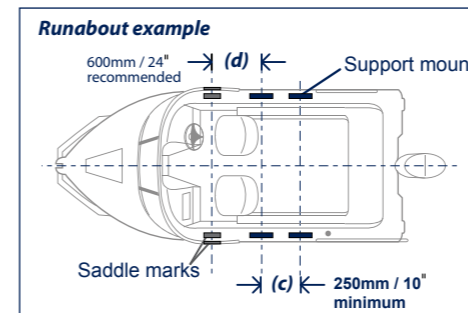
STEP 5.
HEIGHT ADJUSTMENT.

The bimini is now assembled. Before mounting, you may trim the bimini for your optimal height. Trimming the bimini and reducing the height will significantly increase stability.



STEP 6.
ATTACHING THE BIMINI TO THE BOAT.

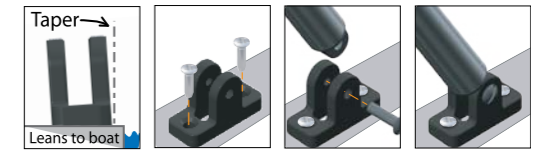
1. Locate where the Bimini Deck Mounts will be placed. Measure and confirm the marks for the Deck Mounts to ensure they are exactly opposite each other. If mounts are not parallel, the Bimini will be unbalanced.



3. Drill and secure the Saddles using suitable hardware (not supplied) depending on your craft or preference.



2. Drill and secure the Deck Mounts using suitable hardware (not supplied).
Note: Ensure the taper on the Deck Mounts, lean inwards to match the Bimini frame. Place Bimini into deck mounts as shown. Secure tube ends with Self Tapping Screws.



4. Secure the tube ends on the Long Uprights and Support Poles as shown.



Locate support hole Drill through one end of pole Secure with screw

5. Tighten and adjust Webbing until even tension is achieved across bimini.

INTEGRATED STORAGE BOOT INSTRUCTIONS

STEP 1.
RELEASE THE SNAP HOOK



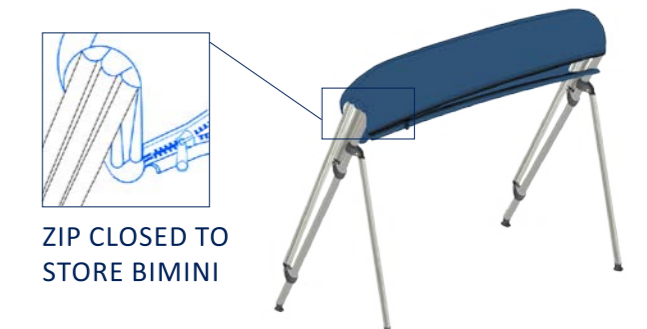
STEP 2.
UNZIP PANEL ON THE REAR POCKET TO RELEASE STORAGE BOOT PANEL.



STEP 3.
FOLD THE BIMINI
PLACE THE WEBBING STRAPS ON THE TOP



STEP 4.
FOLD PANEL OVER BIMINI TOP & WEBBING STRAPS



ZIP CLOSED TO STORE BIMINI